

BERMAR | collection



LE VERRE DE VIN®

professional wine preservation systems



LE VERRE DE VIN®

pod bar™

www.bermarcollection.com



Introducing the NEW Le Verre de Vin Range...



Classic

The original design which offers maximum impact whilst saving valuable bar space.

Portable Tower

Easy to transport and doesn't require any permanent installation.



Tower

Fits neatly into any bar operation, whether stand alone or wall mounted.



Compact

For a discrete under bar installation.



All Le Verre de Vin systems:

- Preserve an unlimited number of open bottles for up to 21 days
- Offer multi light resealing nozzles with 7 colours to choose from
- Include automatic cut off to ensure optimum preservation
- Fit easily into any bar
- Deliver proven performance and reliability

Each model is available as a still wine only unit, a Champagne/sparkling wine only unit or a 'Dual' unit for both still wines and Champagne (as shown above).



Single Pod

Create the 'wow' factor with pinpoint temperature control and perfect preservation.

... and Pod Bar Range



Verti Pod

A bar-top friendly configuration - ideal when space is limited.



Twin Pod

Our best seller... the perfect showcase for premium reds, whites and sparklers.



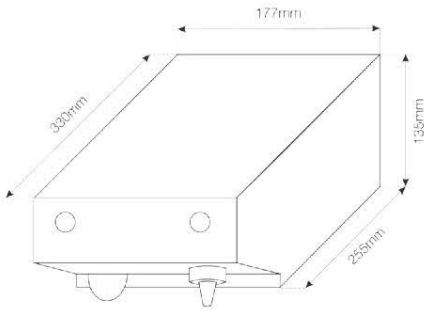
Quad Pod

The ultimate showcase for your entire range of wines by the glass.

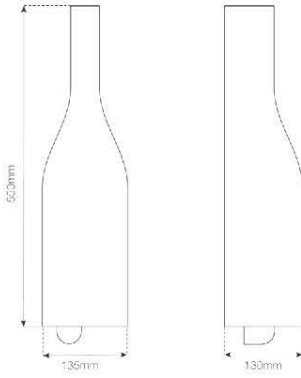
All Pod Bars:

- Preserve an unlimited number of opened bottles for up to 21 days
- Include LED mood lighting - 7 colours to choose from
- Feature digital temperature control per chamber ranging from 4-18°C...
- ...and full-width lockable double-glazed doors

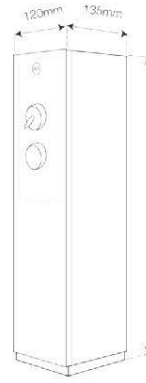
Vital Statistics



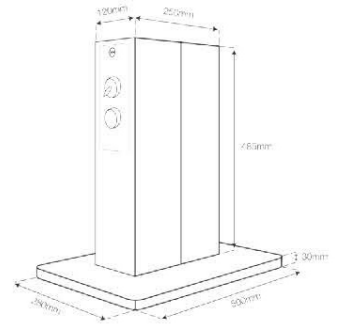
Compact



Classic



Tower



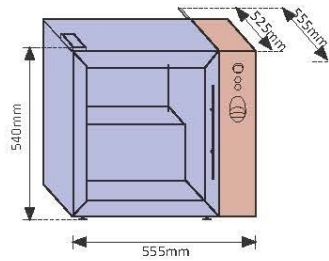
Portable Tower



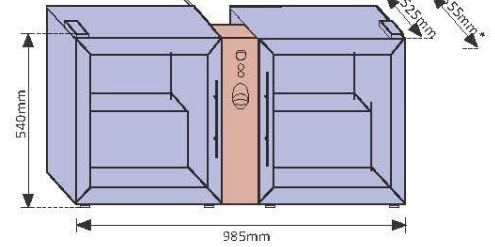
Compact	10
Classic	8
Tower	9
Portable Tower	12
Single Pod Bar	28
Twin Pod Bar	52
Verti Pod Bar	56
Quad Pod Bar	106

Weights are fully packaged

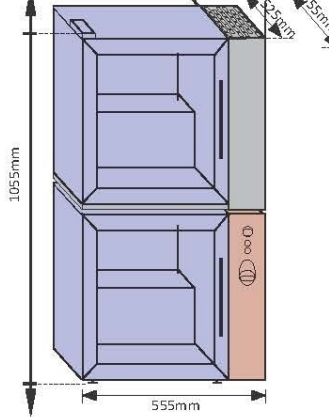
Single Pod Bar



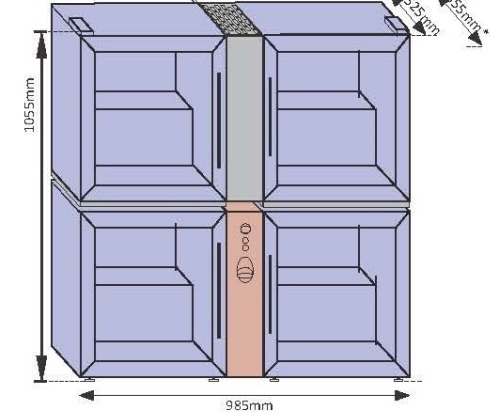
Twin-Pod Bar



Verti-Pod Bar



Quad-Pod Bar



LE VERRE DE VIN®

professional wine preservation systems



LE VERRE DE VIN®

pod bar™

XENEX

— SINCE 1970 —

ΑΝΑΣΤΑΣΙΟΣ ΚΙΟΥΛΠΑΠΑΣ Α.Ε.
ΕΞΟΠΛΙΣΜΟΙ ΜΑΓΕΙΡΕΙΩΝ-ΠΛΥΝΤΗΡΙΩΝ
190 11 ΑΥΛΩΝΑΣ ΑΤΤΙΚΗΣ
ΤΗΛ. 2295 0 42791 FAX: 2295 0 42793
E-mail: xenex@xenex.gr • <http://www.xenex.gr>